

# AUTO-CHOICE RANGE

## AUTO-FRIGO®

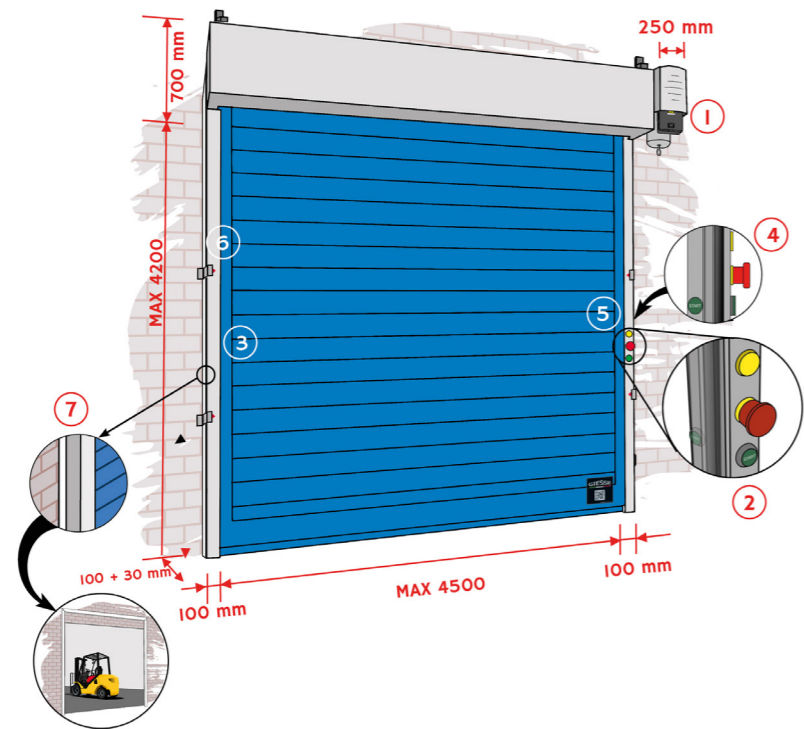
### Made in ITALY, designed for intensive use.

The AUTO-Frigo® doors are the best solution for for temperature controlled environments.

These speed doors are placed frontally to the opening of access compartment of the cold room or to the temperature-controlled environment with a maximum internal / external temperature delta ranging from -5° to +20° C.

The AUTO-Frigo® doors can isolate environments by reducing dispersion of calories / frigories through the special insulation materials, which are together with PVC, constitutes the cover.

All electrical and electronic devices undergo a strict internal procedure of quality control.



**CE**  
0497

**GIESSE**

Loc. Pautasso, 3 - Castellinaldo (CN)  
ITALIA  
Tel. +39 (0) 173 658377  
www.giesselogistica.com  
12  
type n. and DoP n.  
XXXXXXXXXXXXXX

Type: AUTO FRIGO  
Year: 2020  
EN 13241:2003+A2:2016  
UE N. 305/2011-2006/42/CE  
Motorized door for  
internal / external application  
Power supply  
230 V  
Power (Max): 1,5 Kw  
Wind load resistance  
CLASS 2

1. Integrated control panel 230 V
2. Start / stop push button on board
3. Light curtain
4. Start push button opposite side
5. Led flashing blinker
6. Brackets
7. Thermal cut kit

**ENERGY**  
Automatic Door  
X10000101

Manufacturer: GIESSE S.R.L.  
Model: AUTO FRIGO  
Reference: 4.5x4.2 Mt. max.

Classification acc. Traffic Class  
A B C D E F  
A B T2 T3

Application: Industrial  
Climate Class: Ct1 Size Class: S4

|                                     |                                |                                     |
|-------------------------------------|--------------------------------|-------------------------------------|
| Door Type<br>High Speed<br>Flexible | U-Value<br>2,03<br>(W/m²K)     | Air Permeability<br>12<br>(m³/m²·h) |
| Mean Cycle Speed<br>0,58<br>(m/s)   | Operating Power<br>1500<br>(W) | Stand-by Power<br>10<br>(W)         |

Classification is made under  
EN 13241 specifications.  
This is a voluntary label provided  
as a customer service to allow  
consumers to make informed  
decisions on the energy perfor-  
mance of competing products.

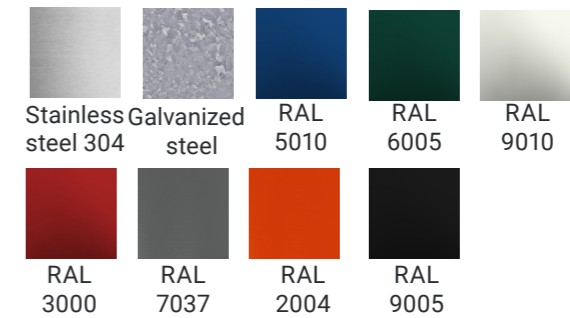
## AUTO-Frigo®

Customizable curtain with a silk-screen painting or digital printing.  
Manageable from PLC.

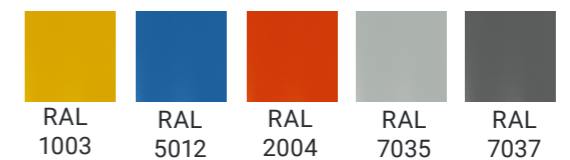


| SPECIFICATION     | STANDARD FEATURES                                       |
|-------------------|---|
| Operator          | Lateral (inverter), integrated to gear motor (IP 65)    |
| Max clear passage | W 4500 X H 4200 mm                                      |
| Upper beam        | 400 X 500 mm  |
| Rail              | Self-supporting, electrical conduits included           |
| Zipper            | High density polietilen profile                         |
| Opening controls  | Start / Stop push button on board, led flashing blinker |
| Curtain           | Insulated double layer polyester                        |
| Curtain reinsert  | Self-repairing  |
| Windows           | No  |
| Safety            | Light curtains  |
| Speed             | 1.2 m/s   |
| Installation      | Inside / Outside  |
| Wind resistance   | Class 2   |

### Frame: materials and colours



### PVC suggested colours similar to:



### PVC available colours similar to:

